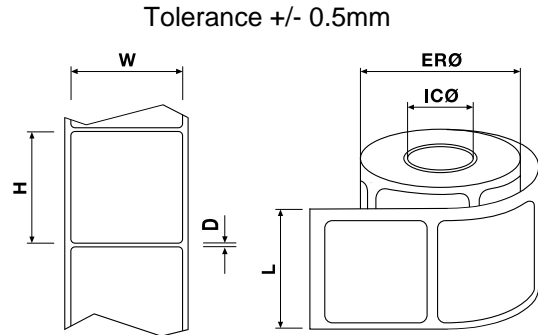
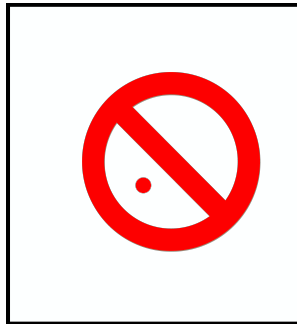
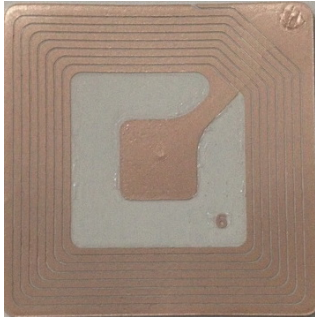




410 Plain

Don't use the labels with red dots



Characteristics	2K = 2,000 Labels
Product Description	410 Plain
Part No:	7551246
Label Dimensions (WxH):	40x40 mm / 1.57"x1.57"
Distance between labels (D):	2.29 mm / 0.09"
Liner Width (L):	39.37 mm / 1.5"
External Roll Diameter (ER):	Ø 212 mm / 8.4"
Inner Core Diameter (IC):	Ø 76.2 mm / 3"
Face Sheet:	White Uncoated Litho Paper
Maximum Marginal Per. Roll:	<300 with red dots
Labels per roll:	2,000 good label
Labels per case:	10x2K(20,000)
Weight roll:	1.17kg/2.58lbs
Weight case:	11.75kg/25.9lbs
Frequency (MHz) +/-5%:	8.2 MHz
Electrostatic Discharge Tolerance (ESD):	1.2Kv (minimum)
*Minimum order quantity (MOQ)	2,000 (1 Roll)
Evolve Detection (Single Antenna >80cm):	95%
Evolve Detection (Two Antenna 180cm):	92%
Average Deactivation Height:	254mm /10"

Storage conditions: Keep dry but do not expose to direct sunlight • Recommended storage temperature: 18 to 29 °C
 Maximum temperature should not exceed 43 °C • Maximum shelf life of RF labels when stored in recommended conditions is 2 years** • Cases should never be stacked more than 5 high

*Unless otherwise specified in contractual conditions

**RF circuits have no expiry date, however the adhesive has a useful working life of 2 years from the date of manufacture

For any questions regarding this or any other labelling process contact your local Checkpoint representative.

